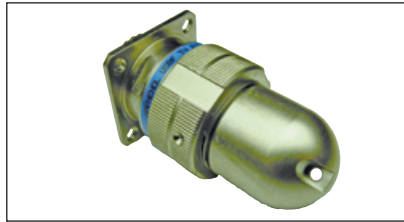
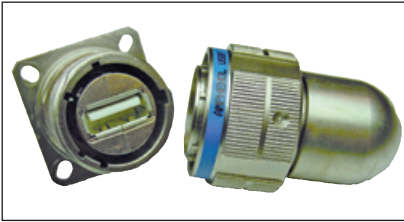


REINFORCED USBFTV MEMORY KEYS

(Derived from MIL-DTL-38999 series III specification)



We provide reinforced USB memory keys available in different capacities. They can be used ONLY with our USBFTV series receptacles. When mated on the receptacle, the system is IP67.

ROHS COMPLIANT

"N": nickel plating

Dimensions of rugged USBFTV Key shown with receptacle USBFTV21x

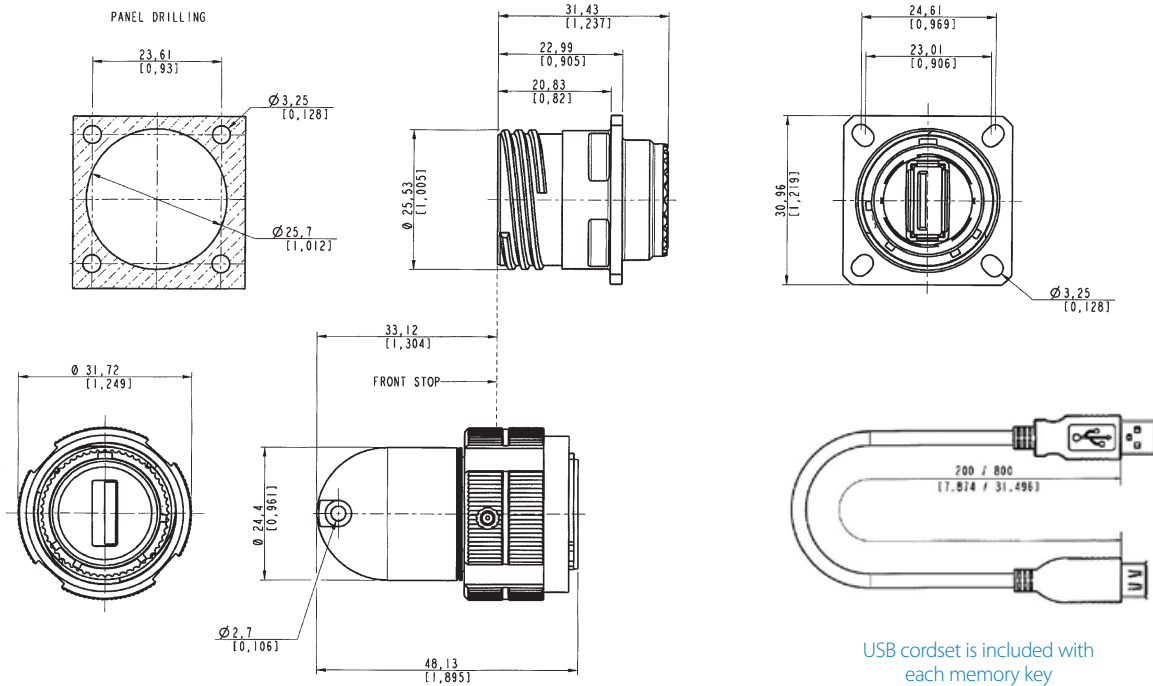
Environmental Protection

- Sealing: IP67 (when mated)
- Salt Spray: 48 h with Nickel plating (ROHS)
> 500 h with Olive Drab Cadmium
- Vibrations: MIL-STD-810F method 514.5 fig 514.5.C cat 14
- Temperature Range: - 40°C / +85°C (MIL-STD-810F)

Data transmission during vibration and temperature tests

Other features

- Type: USB2.0
- Voltage: 5V DC - 500 mA max
- Electromagnetic compatibility: 89/336/EEC and Part 15 Class B



USB cordset is included with each memory key

DEFINITION OF PART NUMBER

USBFTV KEY 6 A 0256 N CAP

Beginning of every USBFTV Key part number. Remains unchanged.

Coding position:
A: coding A
B: coding B
NB: please check the coding of your USBFTV receptacle*

Capacity of your USBFTV Key:
 0256 | 0512 | 1024 | 2048 | 4096
 Other capacity, please consult us at contact@rfield.com

Plating:
"N": nickel plating
"G": olive drab cadmium
NB: please check the plating of your USBFTV receptacle

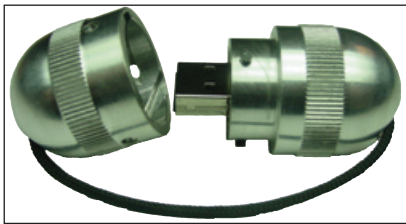
Cap: With cap
Blank: Without cap

* The coding can be changed on the receptacle using our tool USBFODE

EXAMPLE: **USBFTVKEY6A0256N:** USBFTV KEY – CODING A – CAPACITY OF 256MO – NICKEL PLATING

EXAMPLE: **USBFTVKEY6A1024GCAP:** USBFTV KEY – CODING A – CAPACITY OF 1024MO – OLIVE DRAB CADMIUM PLATING - PROTECTIVE CAP

REINFORCED USB MEMORY KEYS



We provide reinforced USB memory keys available in different capacities. When mated, the system is IP67. Shells are metallic with 1/4 turn bayonet coupling.

ROHS COMPLIANT

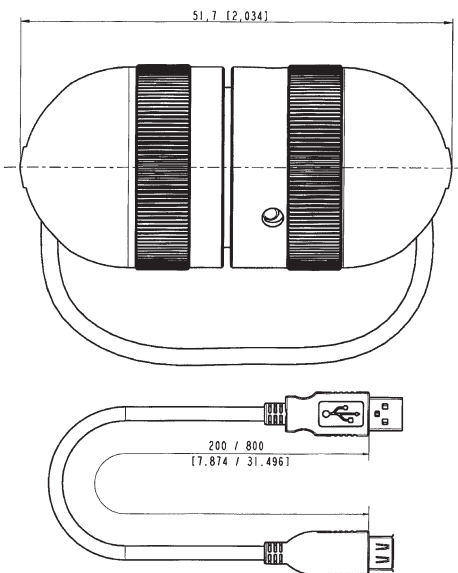
Dimensions of rugged USBF Key:

Environmental Protection

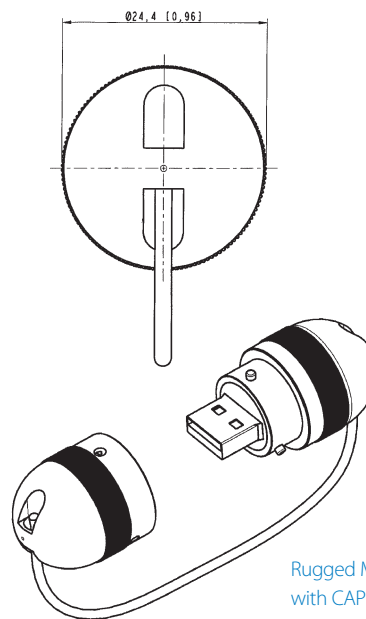
- Sealing: IP67 (when closed)
- Salt Spray: 48 h with Nickel plating (ROHS)
> 96 h with Black coating (ROHS)
> 500 h with Olive Drab Cadmium
- Vibrations: MIL-STD-810F method 514.5 fig 514.5.C cat 14
- Temperature Range: - 40°C / +85°C (MIL-STD-810F)

Other features

- Type: USB2.0
- Voltage: 5V DC - 500 mA max
- Electromagnetic compatibility: 89/336/EEC and Part 15 Class B



USB cordset is included with each memory key



Rugged Metallic USB KEY with CAP SEALING; IP 67

DEFINITION OF PART NUMBER

USBF KEY

0256

N

Beginning of every USB Key part number. Remains unchanged.

Capacity of your USBF Key:

- 0256
- 0512
- 1024
- 2048
- 4096

Other capacity, please consult us at contact@rjfield.com

Shell finish:

- N:** Natural
- G:** Green
- B:** Black

EXAMPLE: **USBFKEY0256N**: USB MEMORY KEY - CAPACITY OF 256MO - SHELL FINISH: NATURAL
 EXAMPLE: **USBFKEY1024G**: USB MEMORY KEY - CAPACITY OF 1024MO - SHELL FINISH: GREEN